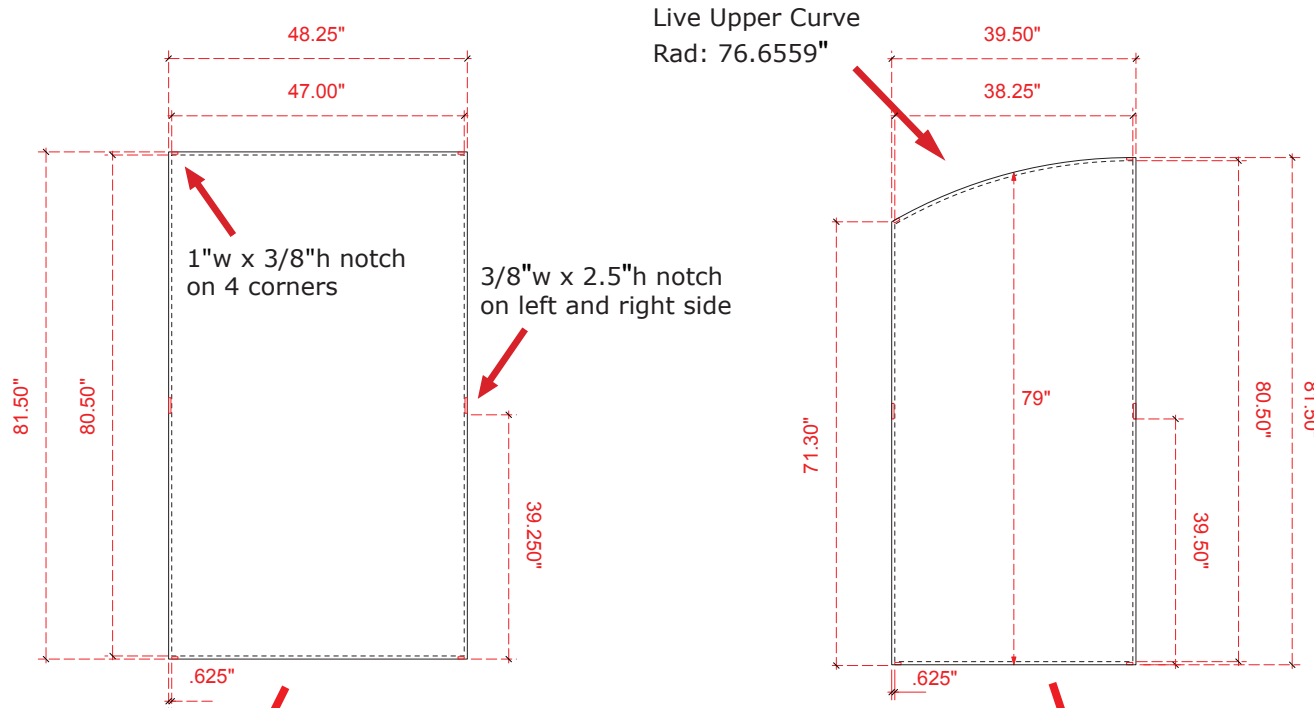


NOTE: Graphic files must be @ 150 dpi Finished Size.
DO NOT send Flattened Files. Production can not manipulate
the content, proportion or color of these files.



Finished Size: 48"w x 81.50"h
Live Area: 47"w x 80.50"h
Add 1/2" bleed around perimeter

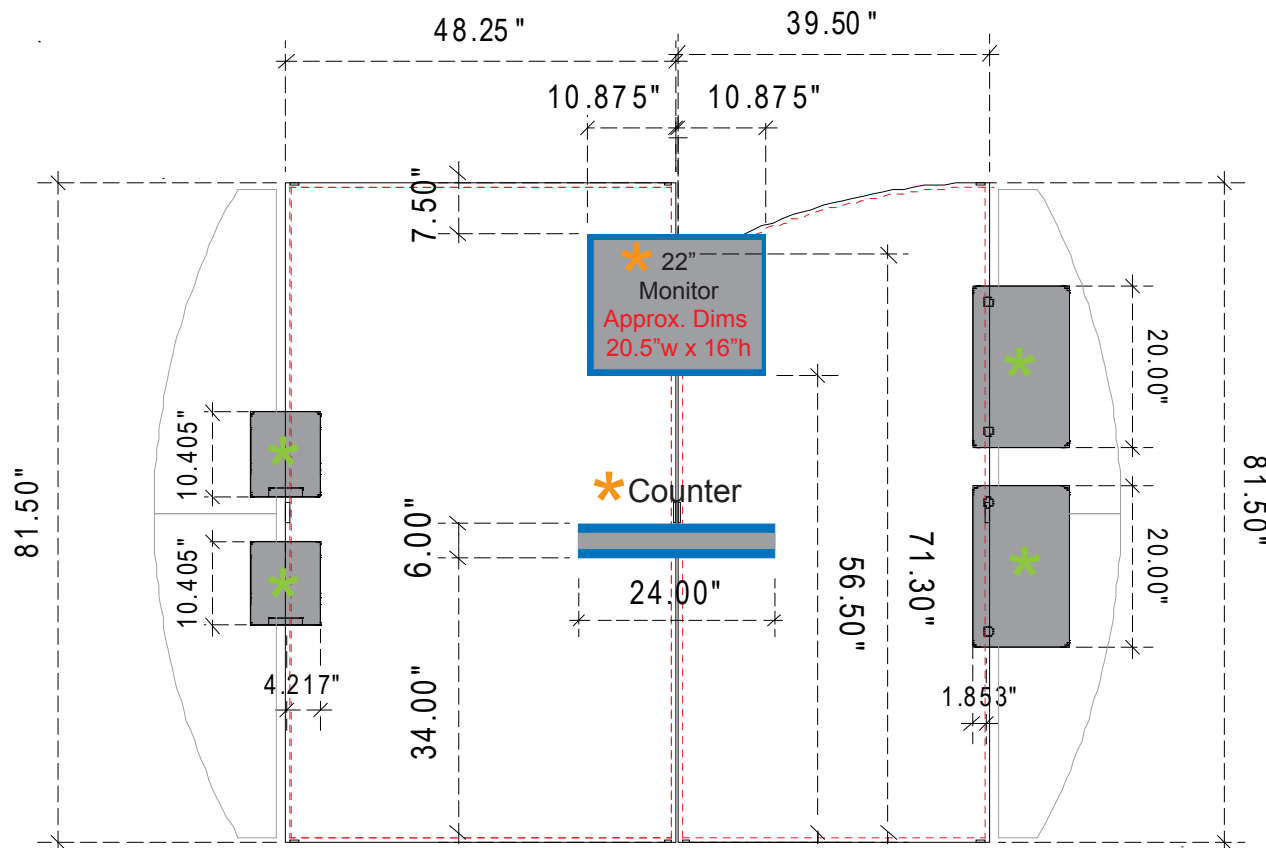
Sew 1/2" hook Velcro into **front perimeter**

Finished Size: 39.50"w x 81.50"h
Live Area: 38.25"w x 80.50"h
Add 5/8" bleed left and right
Add 1/2" bleed top and bottom

Sew 1/2" hook Velcro into **front perimeter**

NOTE: These dimensions are for graphic layout purposes.
Graphic needs to be cut and test fitted to Sacagawea frame.

NOTE: Graphic files must be @ 150 dpi Finished Size.
DO NOT send Flattened Files. Production can not manipulate the content, proportion or color of these files.



Blue Area indicates 3/4" bleed area around the counter and the monitor

NOTE: The height of Literature Racks and Graphic Panels can be adjustable.*

NOTE: When adding Monitors and Counters to the Sacagawea unit, portions of the graphic will be covered. Please design graphic layout according to suggested locations.
-See Header Graphic Dims for header locations.*

NOTE: These dimensions are for graphic layout purposes. Graphic needs to be cut and test fitted to Sacagawea frame.

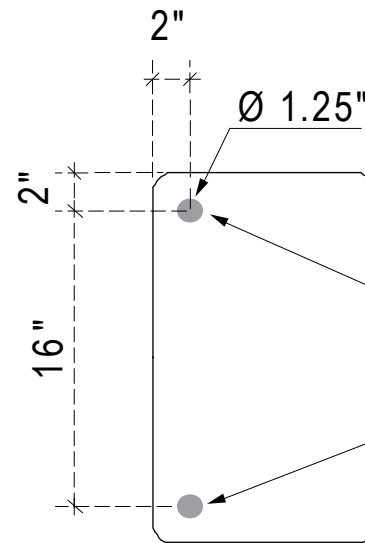
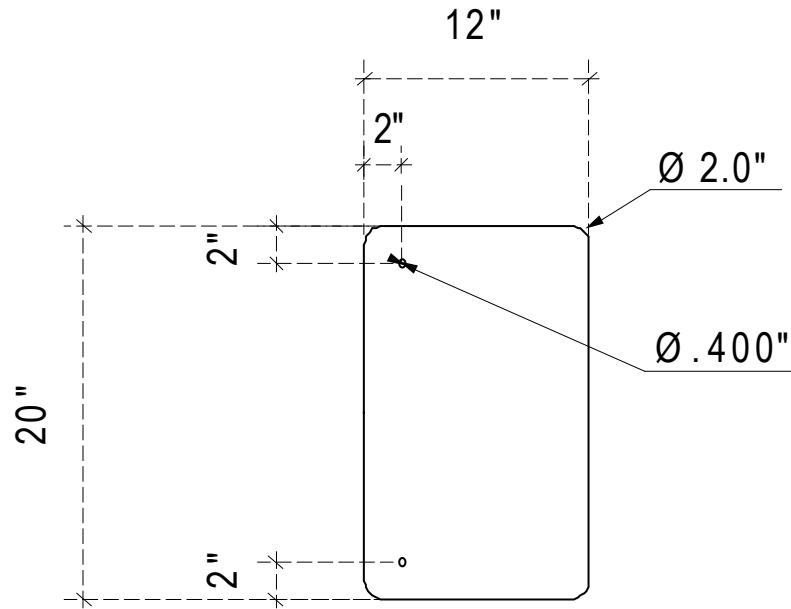
Product Name: VK-1236

Process: Direct Print

Material: 1/4" Sintra or Plex

Effective Date: 09/20/13

NOTE: Graphic files must be @ 150 dpi Finished Size.
DO NOT send Flattened Files. Production can not manipulate
the content, proportion or color of these files.



Note: Portions of graphic panel
will be covered with $\text{Ø } 1.25"$ screwcaps.

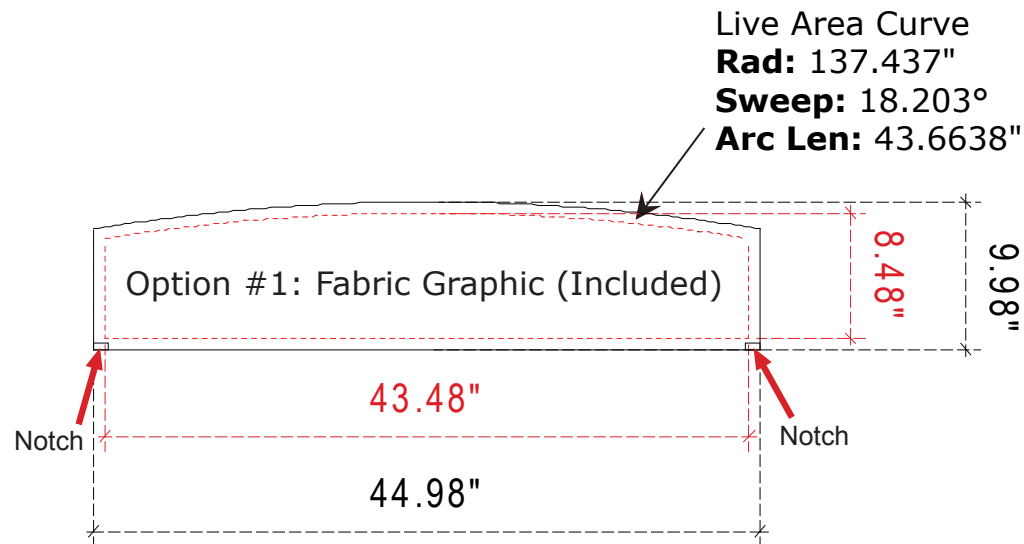
Please design graphic layout
according to screwcap locations.

NOTE: These dimensions are for graphic layout purposes.
Graphic needs to be cut and test fitted to Sacagawea frame.

| |
|---|
| Product Name: VK-1236 |
| Process: Colossus 8-Color/ Direct Print |
| Material: 1/8" Sintra |
| Effective Date: 09/20/13 |

NOTE: Graphic files must be @ 150 dpi Finished Size.
DO NOT send Flattened Files. Production can not manipulate
the content, proportion or color of these files.

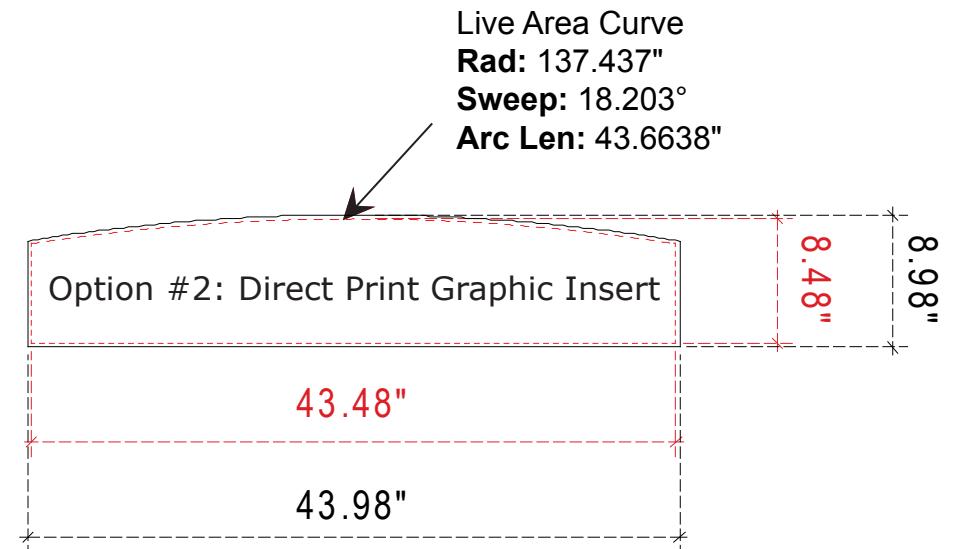
Header Fabric Graphic



Finished Size: 44.98"w x 9.98"h
Live Area: 43.48"w x 8.48"h

Add 3/4" bleed around perimeter
 Sew 1/2" Velcro into front perimeter

1/4" Direct Print Header Graphic



Finished Size: 43.98"w x 8.98"h
Live Area: 43.48"w x 8.48"h

Add 1/4" bleed around perimeter

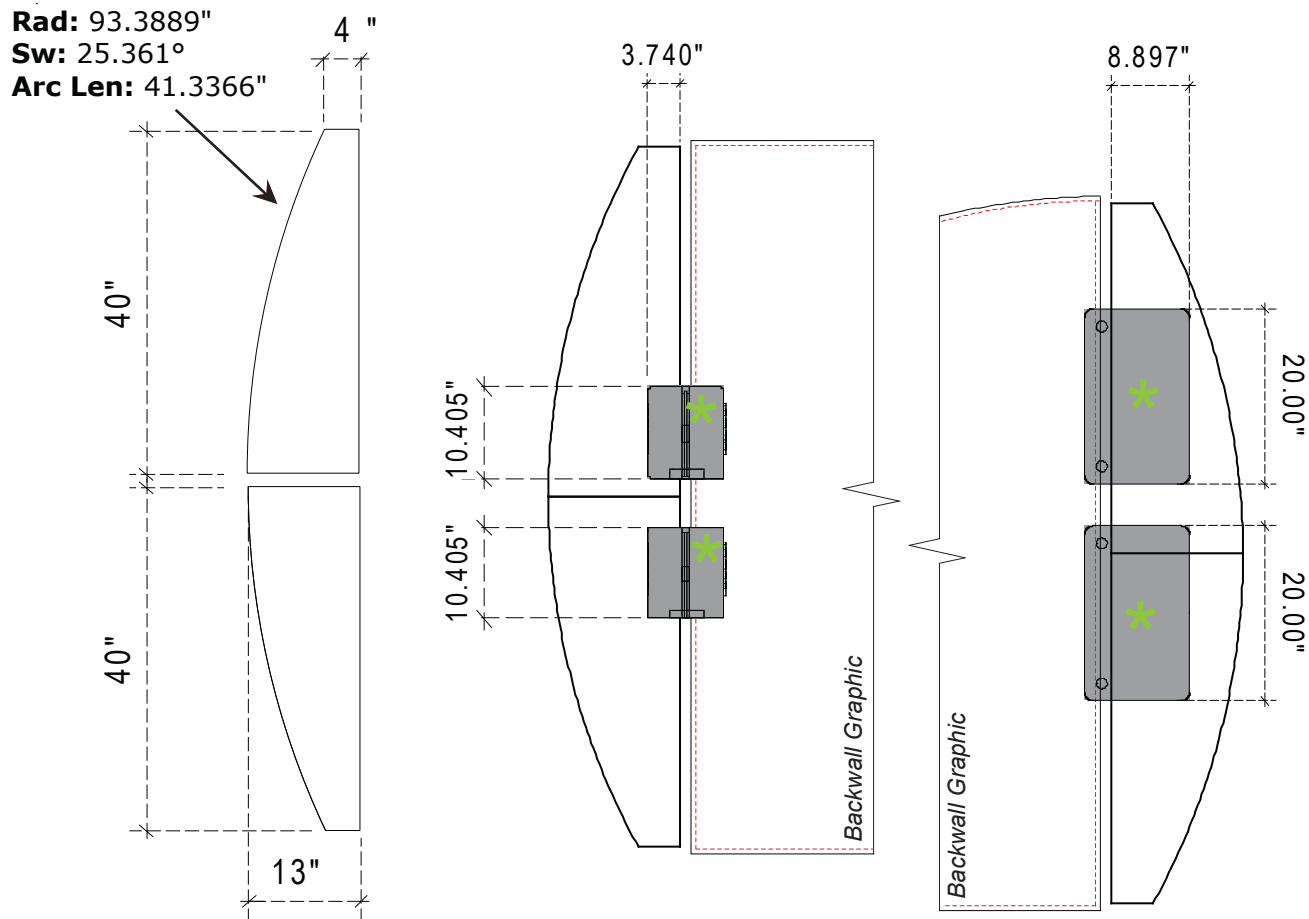
NOTE: These dimensions are for graphic layout purposes.
Graphic needs to be cut and test fitted to Sacagawea frame.

| |
|--------------------------------------|
| Product Name: VK-1236 |
| Process: Direct Print |
| Material: 1/4" Sintra or Plex |
| Effective Date: 09/20/13 |

NOTE: Graphic files must be @ 150 dpi Finished Size.
DO NOT send Flattened Files. Production can not manipulate the content, proportion or color of these files.

A small portion of your graphic(s) may be hidden by literature holders/stand offs. Please use these diagrams to position your graphics correctly.

Convex Wing
20' Unit includes (2) Bottom Panels and (2) Upper Panels



* **Note:** The height of Literature Racks can be adjustable.



NOTE: These dimensions are for graphic layout purposes.
Graphic needs to be cut and test fitted to Sacagawea frame.